

Technical Datasheet

Product Code: SY-FSB306-A



Product Description: Synergy FSB306 Cambridge Single Ended Bath 1780

Specification

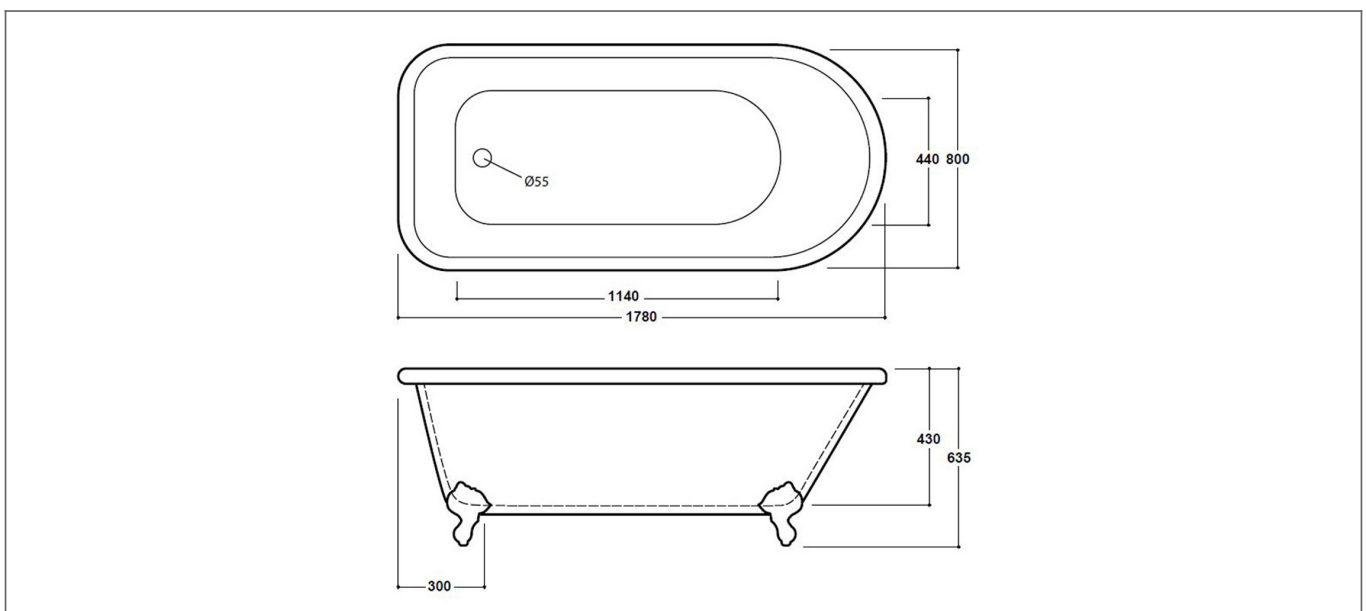
Material:	Acrylic
Style:	Traditional
Shape:	Round
Number Of Tap Holes:	0
Overflow Included:	No
Waste Included:	No
Bath Thickness:	3.5mm
Product Guarantee:	Lifetime
Water Capacity (litres):	213



Key Features

- Freestanding bath, giving flexibility when it comes to bathroom layout
- Manufactured from high quality white 5mm acrylic
- Ideal for free standing mixer use but can be drilled if needed
- Lion claw feet included for a quick & easy installation
- Waste & overflow are available to purchase separate
- Other sizes are available too choose from

Technical Drawing



Dimensions: All measurements are in millimetres and are subject to normal manufacturing variations.

Due to a continuing development programme to improve design and performance, we reserve all rights to vary specifications without prior notice. Please note, all accessories are for photographic purposes only.